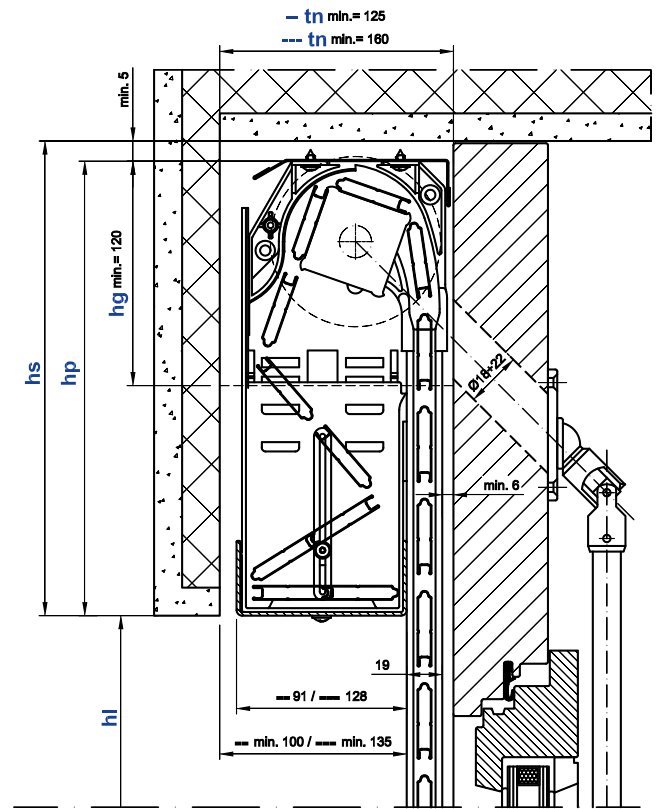
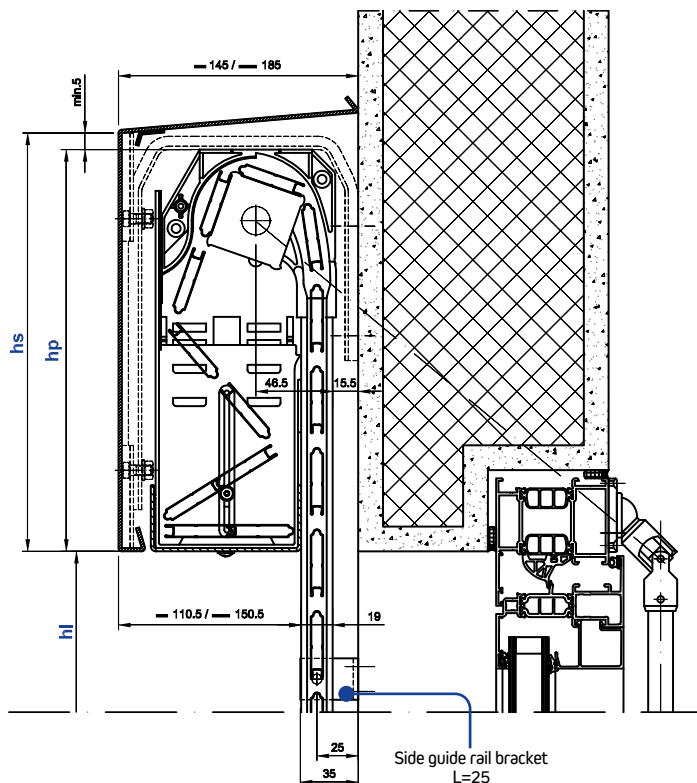


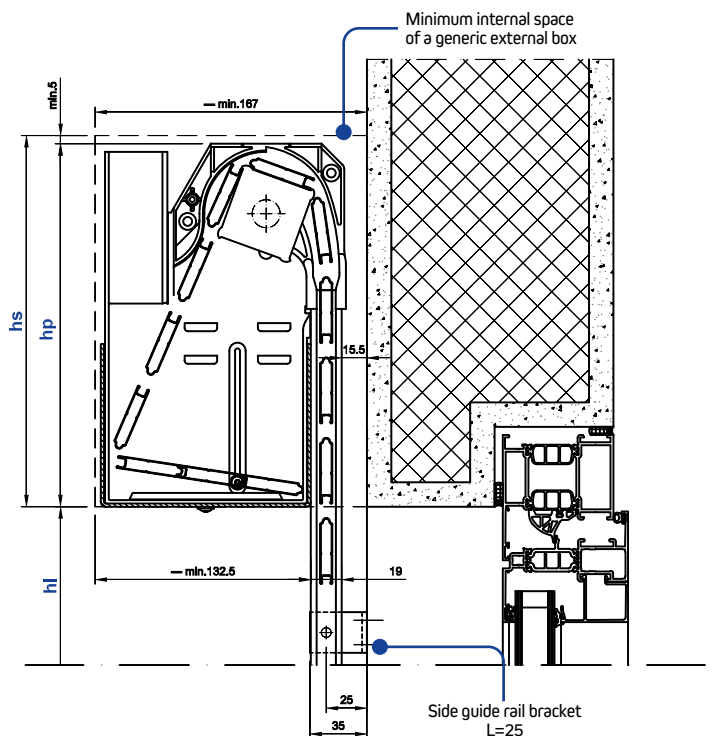
Vertical cross section: outwards shutter curtain unfolding



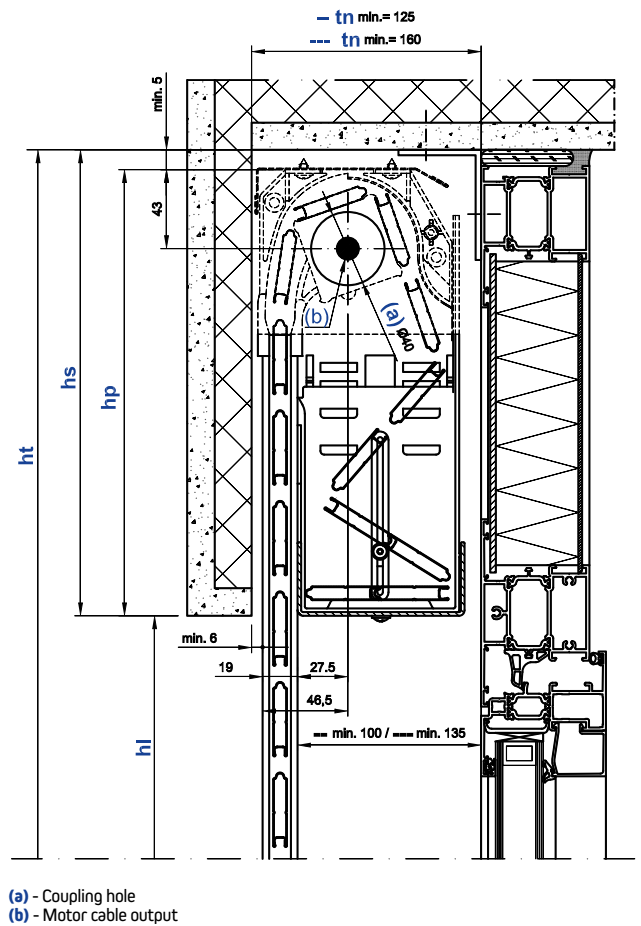
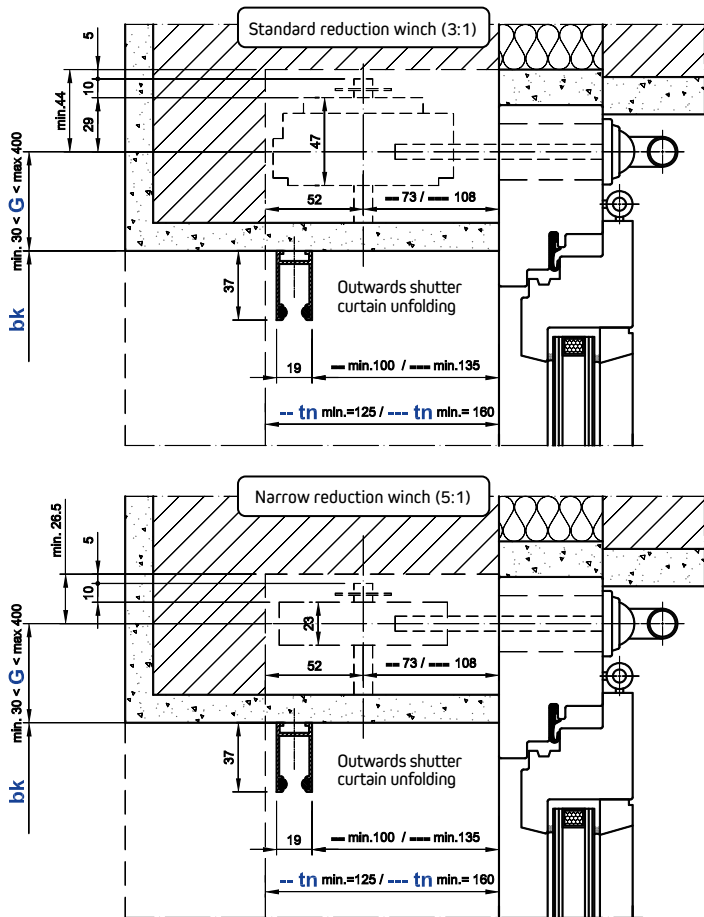
Vertical cross section: inwards shutter curtain unfolding



Vertical cross section: installation on the façade with standard external box - inwards shutter curtain unfolding

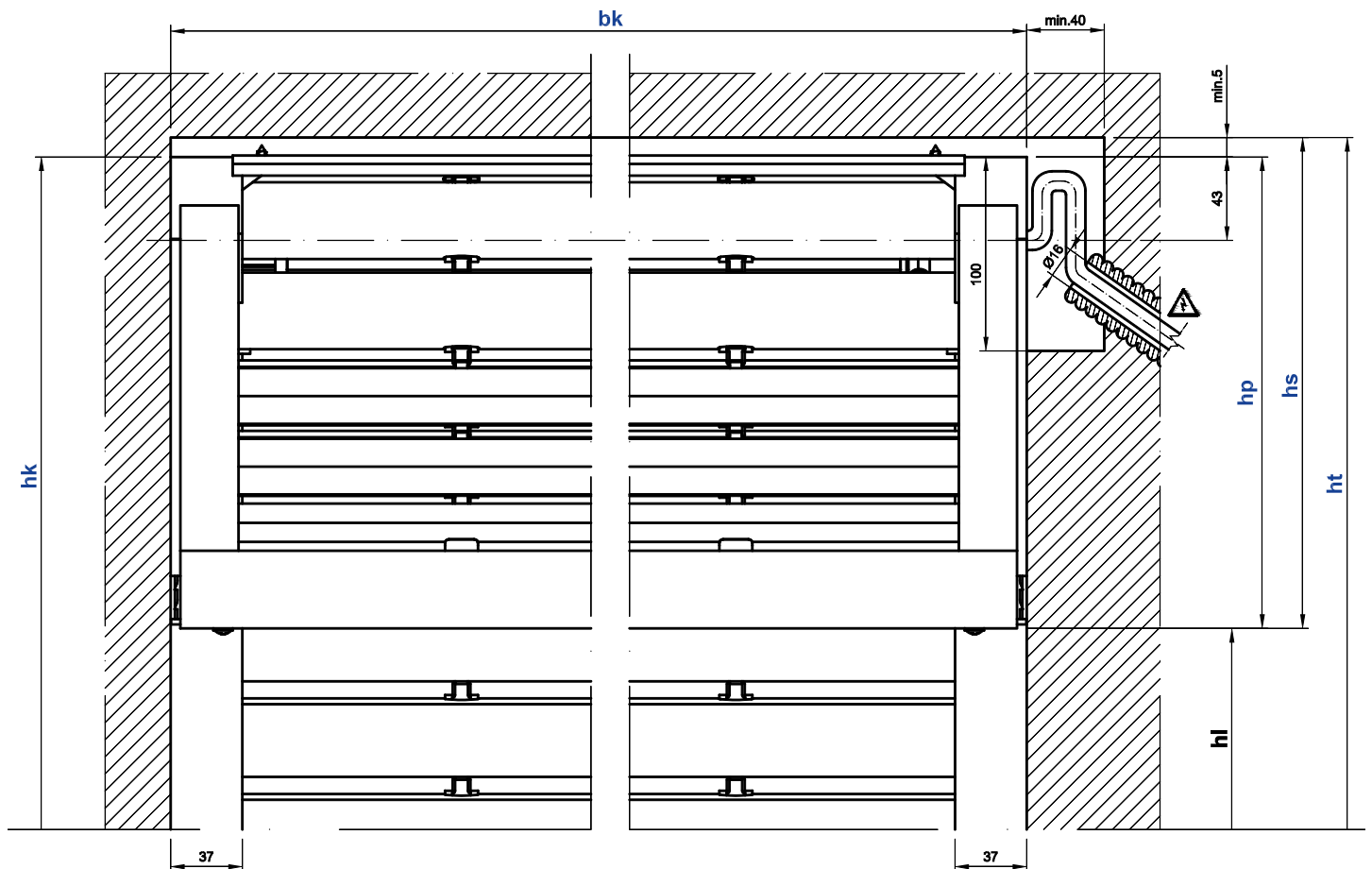


Vertical cross section: installation on the façade with generic external box - inwards shutter curtain unfolding

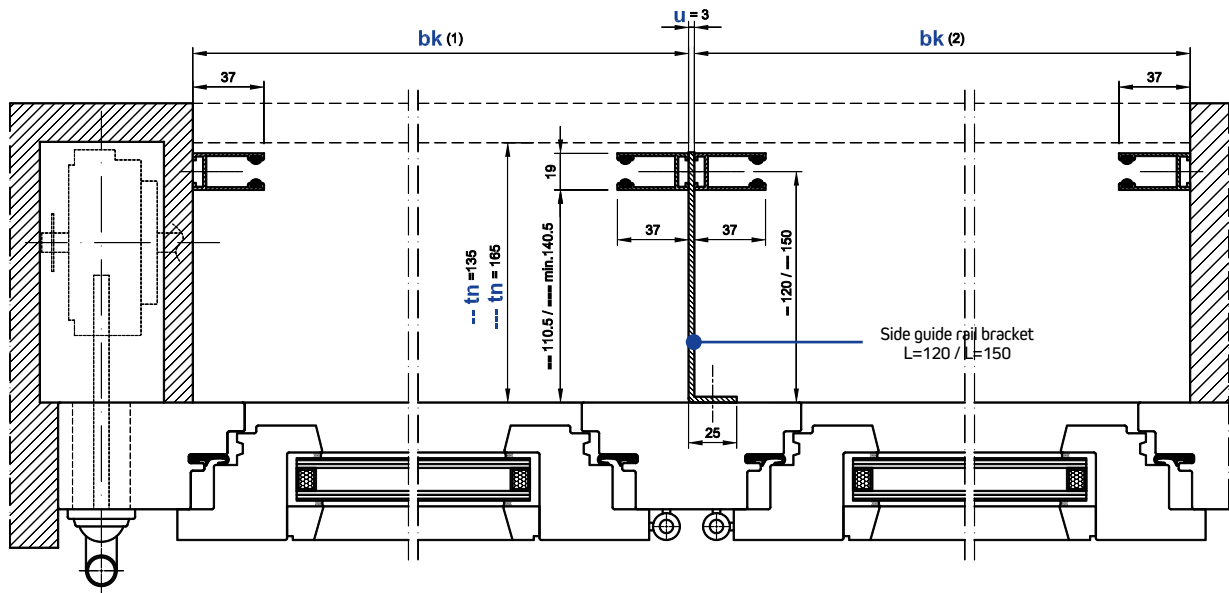


Horizontal cross section: manual drive and reduction winch type

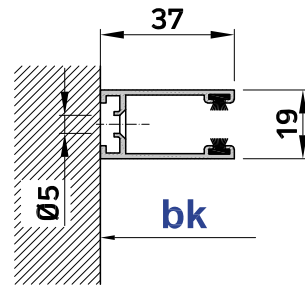
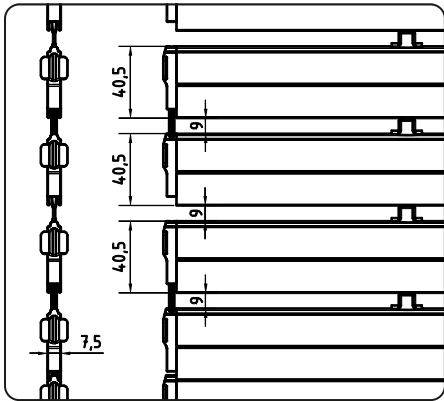
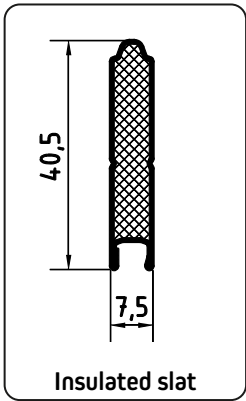
Coupling hole positioning and motor cable output  
outwards shutter curtain unfolding



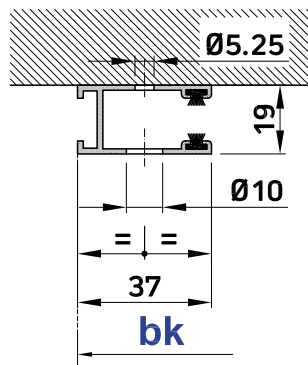
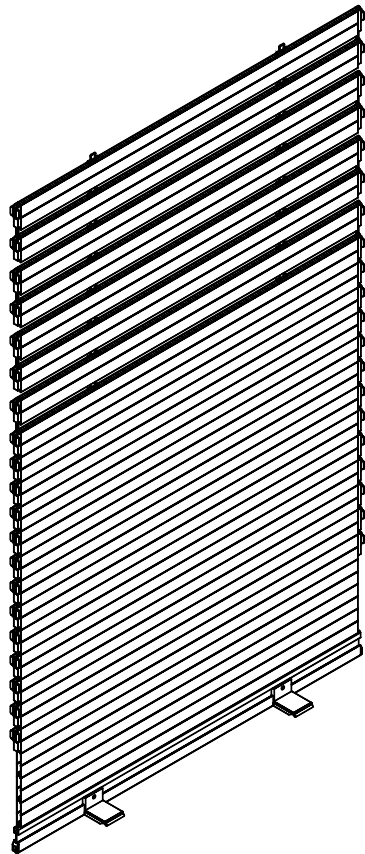
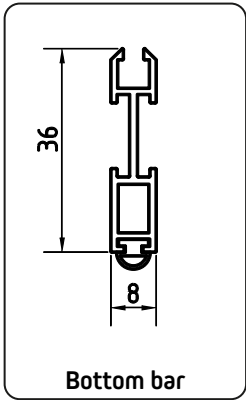
Motor drive



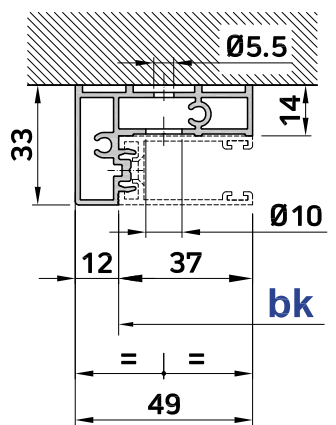
Plial® coupling with side control



Regazzi side guide rail  
Standard drilling



Regazzi side guide rail  
Frontal drilling



Mounting profile SGR  
Standard drilling

Types of shutter curtain

Types of side guide rails and drilling

## Technical data

### Maximum installation height (hk)

- with motor drive 3'000 mm
- with manual drive
  - standard reduction winch (3:1): [- -] 3'000 mm  
[- - -] 3'000 mm
  - narrow reduction winch (5:1): [- -] 2'220 mm  
[- - -] 2'185 mm

Maximum opening height (hl) [- -] 2'600 mm  
[- - -] 2'680 mm

Minimum opening height (hl) 400 mm

### Width of construction (bk)

- minimum with manual drive 400 mm
- minimum with motor
  - STANDARD 580 mm
  - AUTO<sup>(2)</sup> 710 mm
  - RTS 640 mm
  - IO 675 mm
- maximum 3'000 mm

### Maximum surface area (bk x hk)

- with motor drive
  - single shutter curtain 7 m<sup>2</sup>
  - coupled shutter curtains 10 m<sup>2</sup>
- with manual drive
  - single shutter curtain 6,5 m<sup>2</sup>
  - coupled shutter curtains 6,5 m<sup>2</sup>

### Coupled shutter curtains

- number of shutter curtains that can be coupled with a single drive 2 o 3 shutter curtains
- middle control side only with manual drive -

Weight per m<sup>2</sup> approx. 3,5 kg

### Minimum lintel dimensions [- -]

tn	125 mm									
hl	1'090	1'155	1'220	1'360	1'425	1'490	1'590	1'655	1'795	>>
hp <sup>(1)</sup>	230	240	250	260	270	280	290	300	310	>>

hl	1'900	1'965	2'030	2'170	2'270	2'335	2'475	2'540	2'600
hp <sup>(1)</sup>	320	330	340	350	360	370	380	390	400

### Minimum lintel dimensions [- - -]

tn	160 mm									
hl	1'425	1'565	1'630	1'735	1'800	2'015	2'230	2'370	2'435	2'680
hp <sup>(1)</sup>	230	240	250	260	270	280	290	300	310	320

(1) The minimum package height hp includes a tolerance of 5 mm to compensate wall errors. In case of intermediate dimensions, use the next higher hp dimension.

(2) In order to be able to use this type of motor, it is required to install the bottom bar stop brackets or alternatively the bottom bar reinforcement.

## Legend

- bk** width of construction
- hl** opening height
- hk** installation height (hl + hp)
- ht** total height (hl + hs)
- hs** lintel height
- hp** package height
- tn** lintel depth
- g** distance from bk to centreline of crank joint
- hg** space for reduction winch
- u** coupling distance
- [- -]** two-slat version
- [- - -]** three-slat version