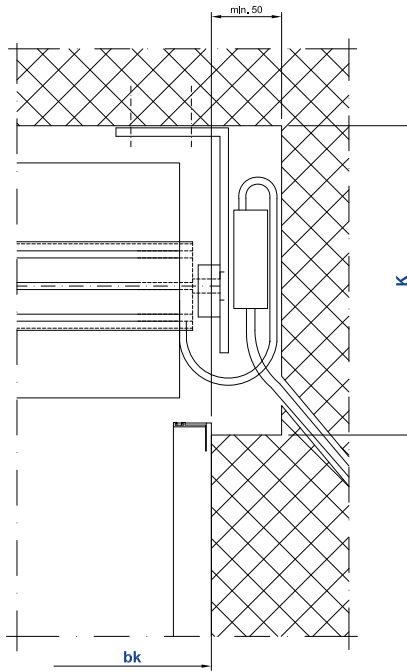
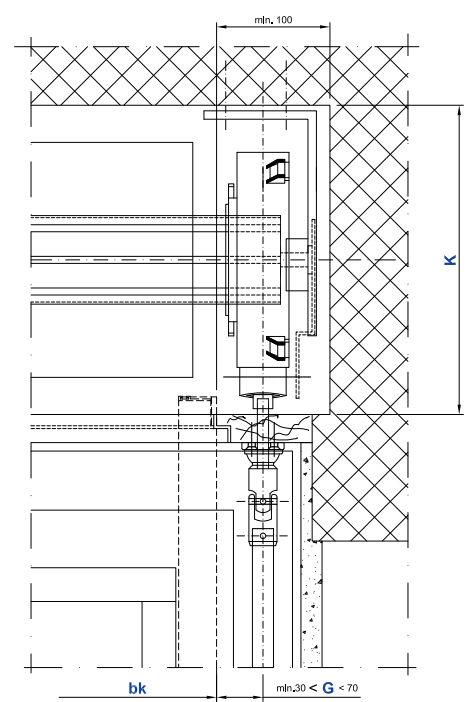


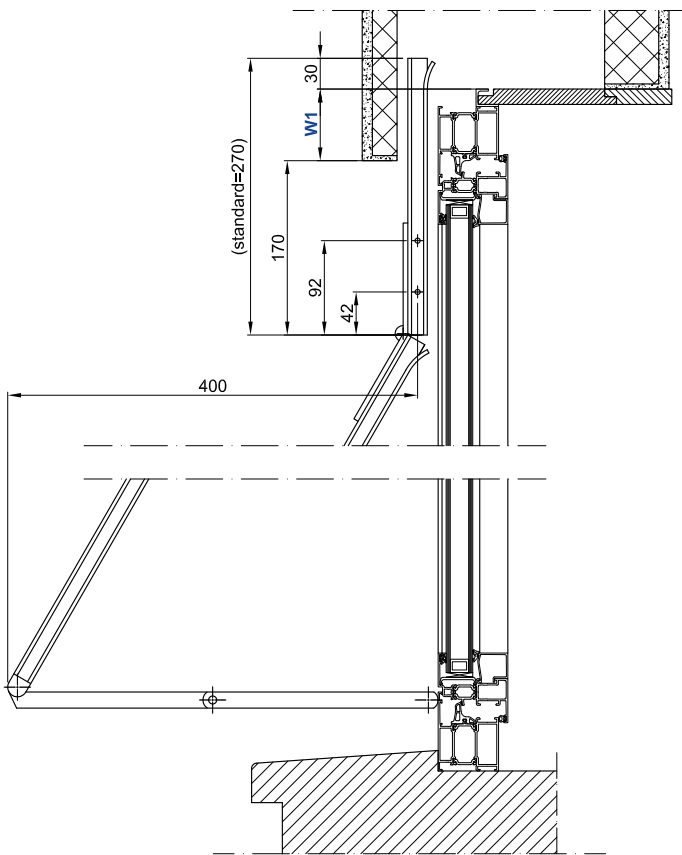
Minimum side space needed without drive



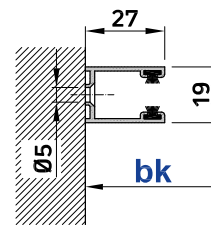
Minimum side space needed with motor drive



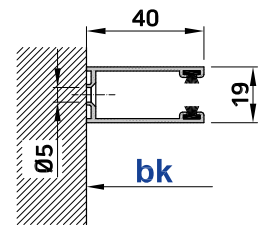
Minimum side space needed with crank handle



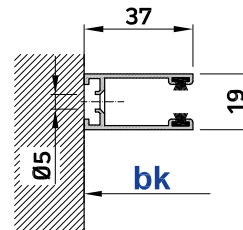
Standard and lever sliding arm for side guide rails with standard brackets



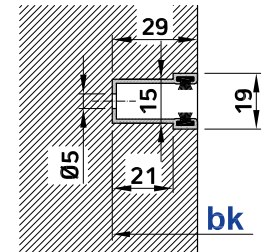
Standard side guide (NO)
Standard drilling



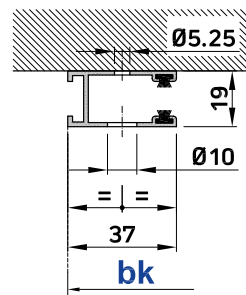
Reinforced side guide (BR)⁽³⁾
Standard drilling



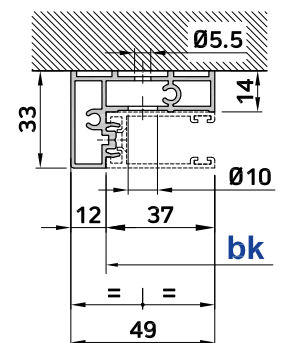
Regazzi side guide ⁽¹⁾
Standard drilling



Recessed side guide (EF)
Standard drilling

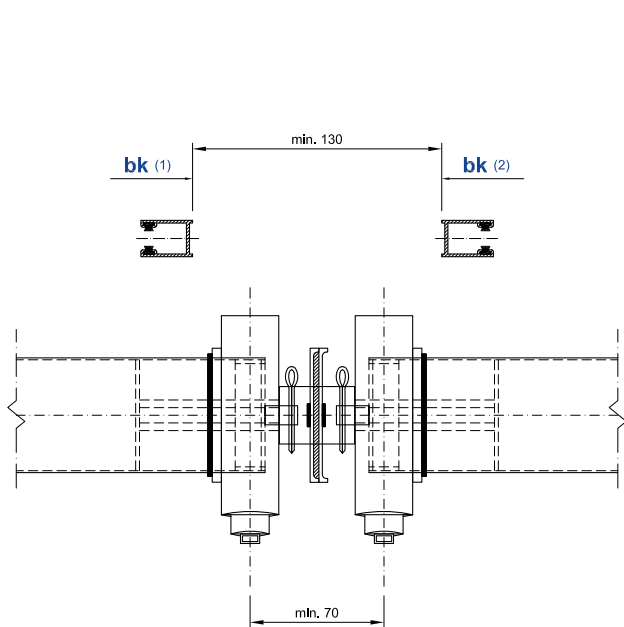


Regazzi side guide ⁽¹⁾
Frontal drilling

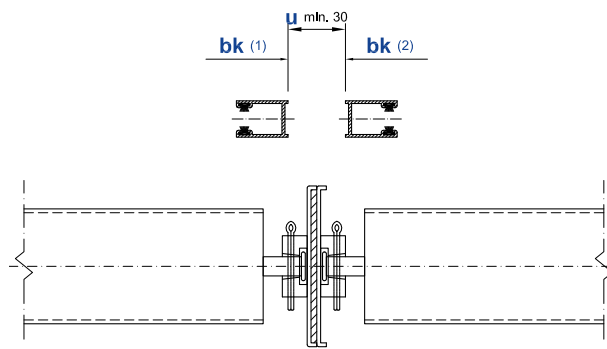


Mounting profile SGR ⁽²⁾
Standard drilling

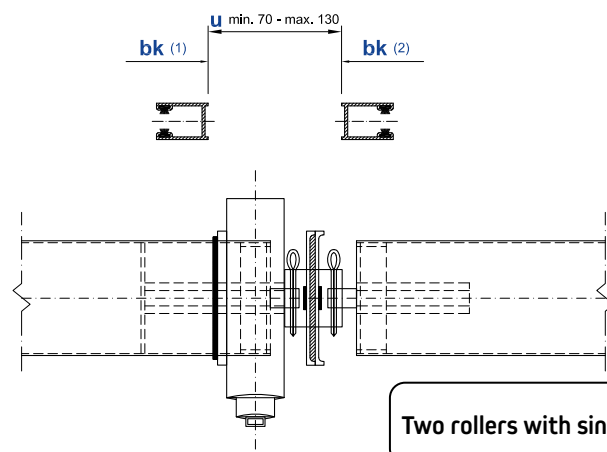
Types of side guide rails and drilling



Two rollers with double drive

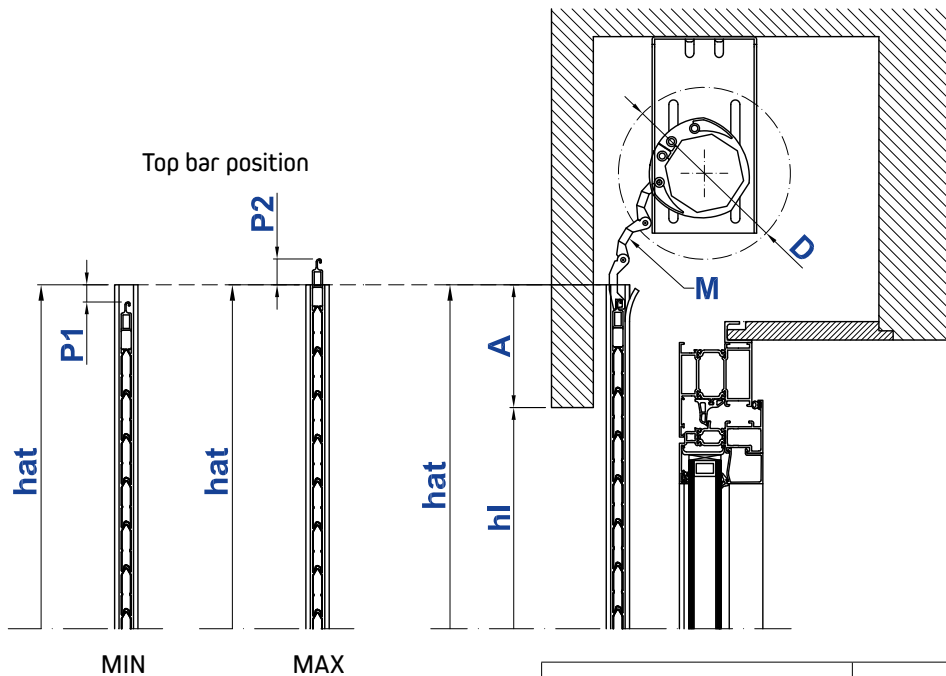


Middle bracket between two rollers



Two rollers with single drive

Coupling between two Lineal®



		Lineal® 3mm		Lineal® 9mm	
hl	opening height	≤ 2000 mm	> 2000 mm	≤ 1750mm	> 1750 mm
A	minimum total extension of side guide rails and shutter curtain	56 mm	70 mm	56 mm	70 mm
M	number of links for automatic locks for octagonal roller	4 links	5 links	4 links	5 links
P1	lower position	14 mm	28 mm	14 mm	28 mm
P2	upper position	21 mm	7 mm	21 mm	7 mm
D	winding outer diameter	≤ 190 mm	> 190 mm	≤ 190 mm	> 190 mm

Automatic locks for octagonal roller

Technical data

for standard brackets ⁽¹⁾

Maximum opening height (hl) 3'500 mm

Minimum opening height (hl)

- without sliding arm for side guides 400 mm
- with sliding arm for side guides 1000 mm

Width of construction (bk)

- minimum with manual drive 300 mm
- minimum with motor
 - STANDARD 625 mm
 - RTS 655 mm
 - IO 465 mm
- maximum
 - Lineal® 3 mm 4'000 mm
 - Lineal® 9 mm 3'500 mm

Extension of side guide rails and shutter curtain (w1) 0÷150 mm

Distance (g) 30÷400 mm

Maximum surface area (bk x hl)
(single shutter curtain or coupled shutter curtains)

- with motor drive 14 m²
- with manual drive 8,8 m²
- with manual drive and roller spring 9,5 m²
- with belt drive 3,5 m²

Coupled shutter curtains

- number of shutter curtains that can be coupled with a single drive 2 o 3 shutter curtains
- middle control side only with manual drive -






Sliding arm for side guide rails

- Standard type up to bk= 2'000 mm
- Lever type up to bk= 3'000 mm

Weight per m² approx. 3,7 kg

Legend

- bk width of construction
- hl opening height
- D winding outer diameter
- K minimum inner shutter box dimensions
- hat total length of side guide rails
- w1 extension of side guide rails and shutter curtain
- g distance from bk to middle of gear winch
- u coupling distance

		Minimum inner shutter box dimensions (K)											
		hl	1'000	1'250	1'500	1'750	2'000	2'250	2'500	2'750	3'000	3'250	3'500
Lineal® 3mm		K	150 [165]	165 [175]	180 [180]	185 [190]	195 [200]	200 [210]	210 [215]	220 [225]	225 [230]	235 [235]	235 [245]
		K	150	165	175	185	195	200	210	220	225	230	240
		K	160	170	180	185	195	205	210	220	230	240	245
Lineal® 9mm		K	160	175	185	190	200	210	220	230	235	245	250
		K	165	175	185	195	205	215	225	230	240	245	255

Values in parentheses [] are only valid for configurations with automatic locks for roller.

K minimum with standard gear winch = 180 mm K minimum with belt drive = 200 mm Winding outer diameter D = K - 10 mm

(1) Technical data for QuickRoll® and QuickRoll® mini self-supporting brackets are available on Quickroll® brochure.

(2) Technical data for Mounting profile SGR are available on Mounting profile SGR brochure.

(3) Standard from bk width of 3'200 mm without sliding arm, and from bk width of 2'500 mm with sliding arm.