



QuickRoll®

The self-supporting system for the fast and safe installation of roller shutters

Benefits of QuickRoll® and QuickRoll® mini systems

- 1 **Suitable for a wide range of roller shutters** available on the market, e.g. Lineal® (both 3 mm and 9 mm);
- 2 **Make the installation easier** and reduce the roller shutter installation time;
- 3 Height and depth **are easily adjustable**;
- 4 **Excellent price/quality ratio**.

QuickRoll®

QuickRoll® mini



Bracket and side guide rails connection protected with plastic cover;

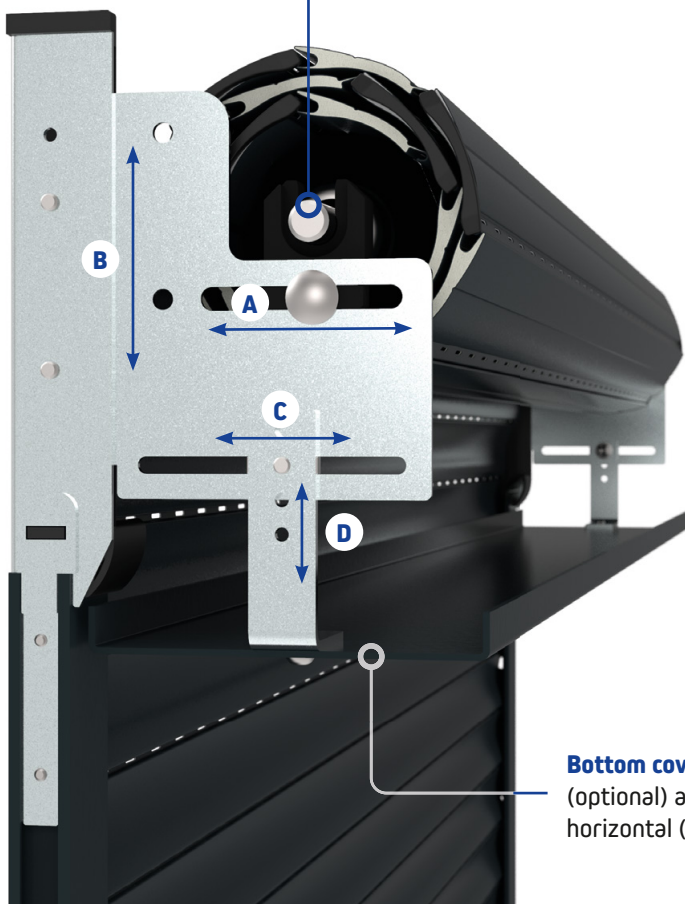


Adjustable roller position in horizontal (A) and vertical (B).

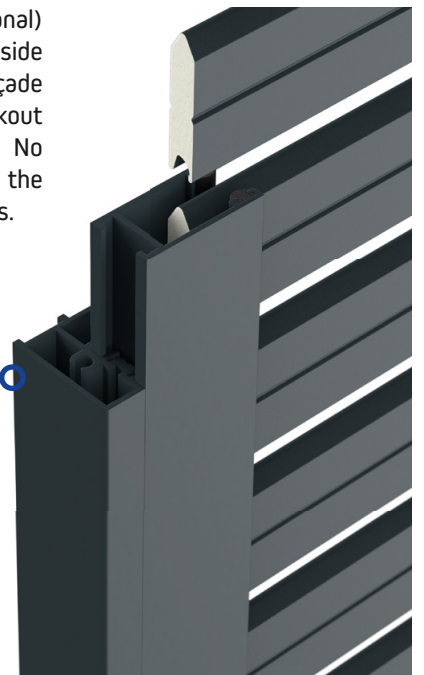
Self-supporting system with Regazzi side guide rail.

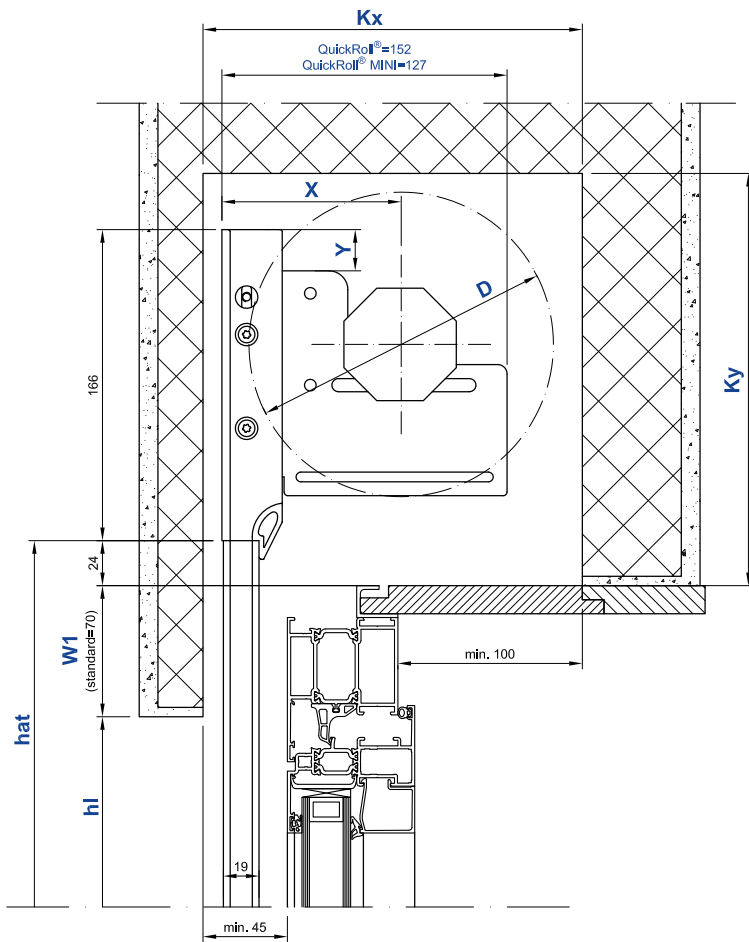
Plastic slide for the optimised sliding of the shutter curtain inside the side guide rails, which guarantees high product durability;

SGR Mounting profile (optional) for front fixing of the side guide rails, suitable for façade installation. Ensures blackout of the window perimeter. No visible screws thanks to the special design of the profiles.



Bottom cover with brackets (optional) adjustable in horizontal (C) and vertical (D).

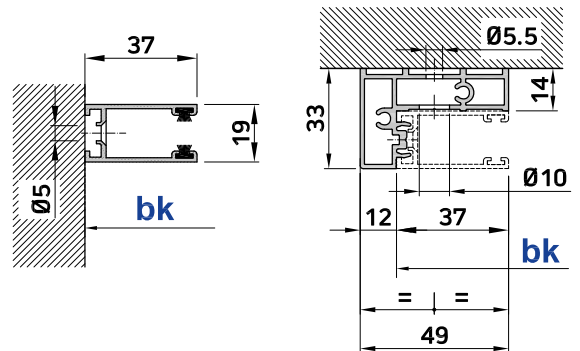




QuickRoll® version for traditional shutter box

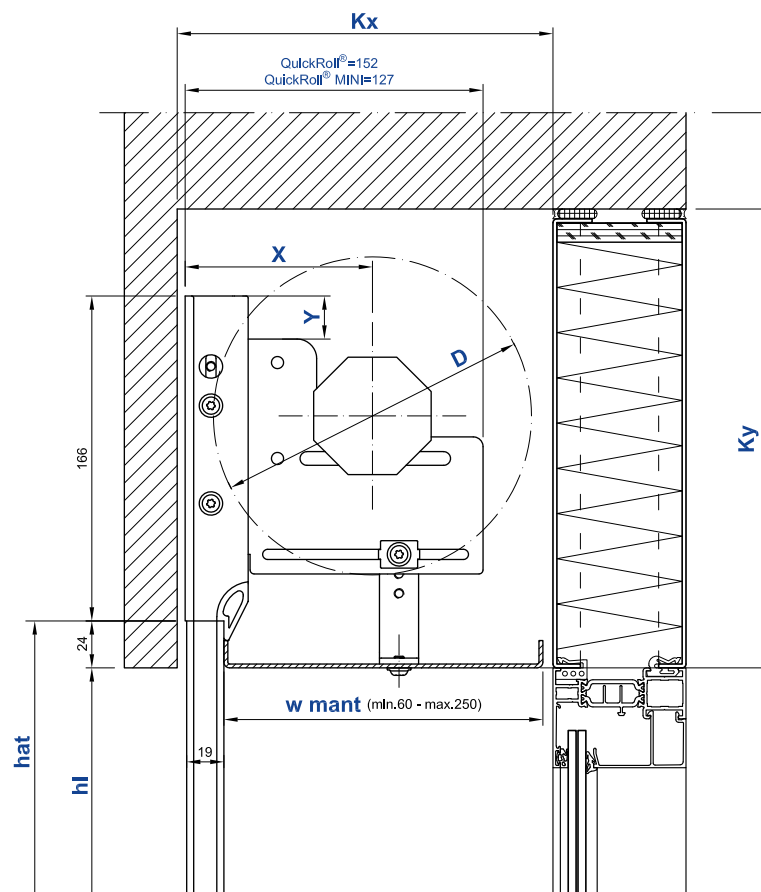
Legend

bk	width of construction
hl	opening height
D	winding outer diameter
Kx	minimum inner shutter box depth
Ky	minimum inner shutter box height
X	horizontal roller adjustment
Y	vertical roller adjustment
hat	total length of side guide rails
w1	extension of side guide rails and shutter curtain
w mant	width of bottom cover

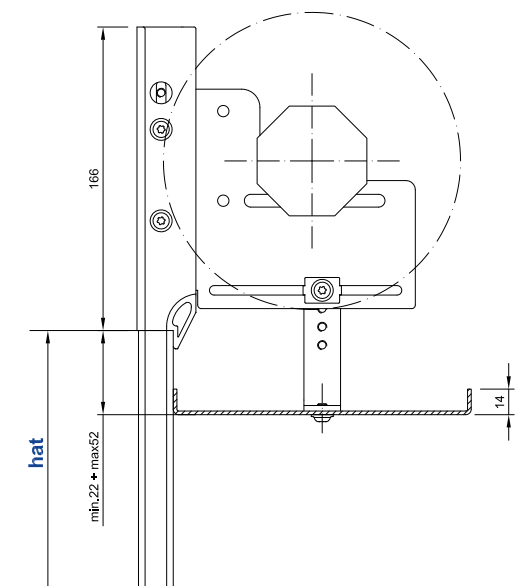


Regazzi side guide rail

SGR Mounting profile ⁽¹⁾
(optional)



QuickRoll® version with bottom cover ⁽²⁾



Vertical adjustment of QuickRoll® bottom cover

(1) For more information see the brochure of SGR Mounting profile.

(2) To order QuickRoll® version with bottom cover, please indicate the width of the bottom cover "w mant" and the required colour in the designated fields on Lineal® order form.

Technical data

Maximum opening height (hl) ⁽¹⁾

- Lineal® 3mm 2'300 mm
- Lineal® 9mm 2'300 mm

Minimum opening height (hl)

- without sliding arm for side guides 400 mm
- with sliding arm for side guides 1'000 mm

Width of construction (bk)

- minimum with manual drive 300 mm
- minimum with motor
 - STANDARD 670 mm
 - RTS 715 mm
 - IO 605 mm
- maximum 2'500 mm

Extension of side guide rails and shutter curtain (w1)

0÷150 mm

Distance (g)

20÷120 mm

Maximum winding outer diameter (D)

- QuickRoll® mini bracket 180 mm
- QuickRoll® bracket 215 mm

Type of bracket/roller shutter

- QuickRoll® mini bracket
 - with Lineal® up to hl= 1'500 mm
- QuickRoll® bracket
 - with Lineal® over hl= 1'500 mm

Width of bottom cover (w mant)

- QuickRoll® mini 60÷200 mm
- QuickRoll® 60÷250 mm

Maximum surface area (bk x hl)

6 m²

Maximum weight (other roller shutters)

20 kg

Shutter curtains can not be coupled

Sliding arm for side guide rails

- Standard type up to bk= 2'000 mm
- Lever type over bk= 2'000 mm

		Minimum inner shutter box dimensions (Kx and Ky)							
		hl	1'000	1'250	1'500	1'750	2'000	2'250	2'500 ⁽¹⁾
Lineal® 3mm	60	D	140	155	170	175	185	190	200
		Kx	160	175	190	195	205	210	220
		Ky	195	195	200	200	210	220	235
		X	80	88	95	98	103	105	110
		Y	42	42	42	42	36	32	22
	60	D	140	155	165	175	185	190	200
		Kx	160	175	185	195	205	210	220
		Ky	195	195	195	200	215	220	235
		X	80	88	93	98	103	105	110
		Y	42	42	42	42	36	32	22
	70	D	150	160	170	175	185	195	200
		Kx	170	180	190	195	205	215	220
		Ky	195	195	200	200	215	225	235
		X	85	90	95	98	103	108	110
		Y	42	42	42	42	36	28	22
Lineal® 9mm	60	D	150	165	175	180	190	200	210
		Kx	170	185	195	200	210	220	230
		Ky	195	195	200	205	220	235	250
		X	85	93	98	100	105	110	115
		Y	42	42	42	40	32	22	14
	70	D	155	165	175	185	195	205	215
		Kx	175	185	195	205	215	225	235
		Ky	195	195	200	215	225	240	255
		X	88	93	98	103	108	113	118
		Y	42	42	42	36	28	18	10