



Lineal®

The comfort roller shutter system





The style of Lineal® is exceptional for every room in the house, regardless of the adjustment of the shutter curtain position.



Lineal® in half-open position provides a pleasant soft lighting effect.



Lineal® excludes irritating noise and vibrations, provides complete black-out, protects against the sun and reduces thermal dispersion.

Lineal®

Lineal® is the roller shutter system with slats connected by stainless steel hooks.

1

ELEGANT DESIGN THANKS TO STRAIGHT SLATS AND SMALL SIDE GUIDE RAILS

The design of the slat gives Lineal® elegance and distinguishes it from other roller shutter systems. The shutter curtain, the side guide rails and main visible components can be supplied in any colour and colour combination.

2

BETTER AIR VENTILATION

The space of 9mm between the slats gives the rooms of the house the best ventilation conditions when the shutter curtain is in the slat spacing position.

3

MORE LIGHT IN THE ROOM

and at the same time guaranteed protection from curious eyes from outside. The combination of these two properties means more comfort for you, your plants and your pets.

4

AVAILABLE IN TWO VERSIONS

Classic version, with 3 mm slats spacing, or modern version, with 9 mm slats spacing.

5

HIGH QUALITY COMPONENTS GUARANTEE ROBUSTNESS AND LONG-LIFE OF THE PRODUCT

With a simple mechanism combined with components made of aluminium, stainless steel and fibre-reinforced plastic, we ensure that the roller shutter keeps its original condition. Reliable operation, aesthetics and long-life quality.

LOXONE

COMPATIBLE

Made in Switzerland



3 mm version

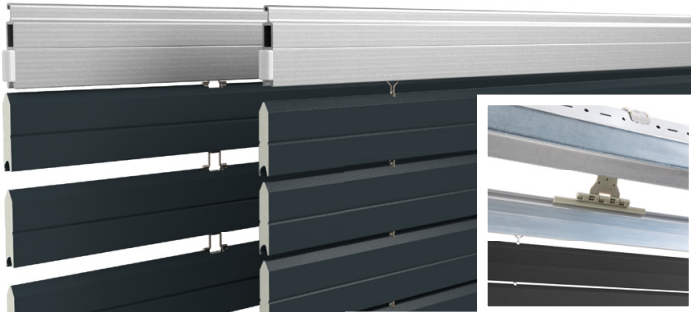


9 mm version

◀ The **mobile slats** are joined by solid chrome-nickel steel hooks. The joining hooks can separate the slats up to 3mm (3 mm version) or up to 9mm (9 mm version) when the shutter curtain is tensioned. When closed, the shutter curtain ensures complete darkness and outstanding soundproofing.



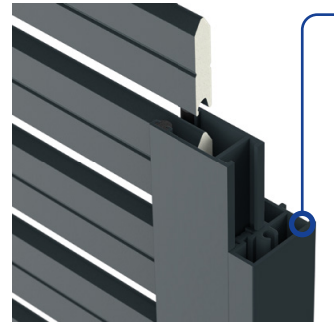
▲ The 40-mm-high **straight slats** give the shutter curtain a unique elegance. They are filled with a CFC-free polyurethane foaming to improve the insulation and the stability of the shutter curtain.



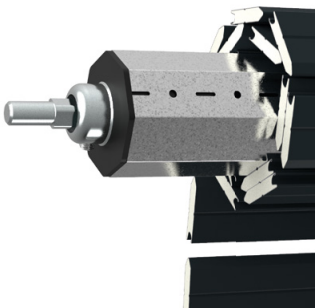
◀ The **top bar** made in anodized extruded aluminium allows a quick and safe connection of the shutter curtain to the octagonal roller, thanks to the stainless steel quick-release connectors.



QuickRoll® and QuickRoll® mini self-supporting brackets (optional): make the installation easier and reduce the roller shutter installation time. Available for installation in traditional shutter box (built-in system) or with bottom cover.



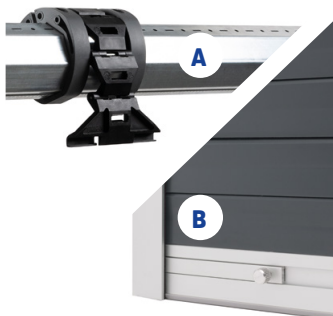
SGR Mounting profile (optional) for front fixing of the side guide rails, suitable for façade installation. Ensures blackout of the window perimeter. No visible screws thanks to the special design of the profiles. **Only compatible with QuickRoll® self-supporting brackets.**



Octagonal and ogive profile rollers equipped with standard galvanised steel brackets, suitable for direct installation in most traditional shutter boxes. The unfolding of the shutter curtain is possible inwards and outwards.



Bottom bar with anti-noise PVC profile and stop brackets, both made of anodized aluminium. The components can be powder coated.



Automatic locks for roller (A) or manual locks (B) (optional) to provide additional security against the lifting of the shutter curtain from the outside.



Sliding arm for side guide rails to increase the possibilities of ventilating and illuminating rooms even with the shutter curtain half-opened or fully closed.



The motor drive reduces the risk of damage thanks to its obstacle detector and thermal protection. Easy programming of limit switches and intermediate stop position. The motors can be controlled with wall switch or remote control.



Manual drive (optional) with standard or extendable articulated crank handle including joint and magnetic rod holder.

Technical data

for standard brackets ⁽¹⁾

Maximum opening height (hl) 3'500 mm

Minimum opening height (hl)

- without sliding arm for side guides 400 mm
- with sliding arm for side guides 1000 mm

Width of construction (bk)

- minimum with manual drive 300 mm
- minimum with motor
 - STANDARD 625 mm
 - RTS 655 mm
 - IO 465 mm
- maximum
 - Lineal® 3 mm 4'000 mm
 - Lineal® 9 mm 3'500 mm

Maximum surface area (bk x hl)
(single shutter curtain or coupled shutter curtains)

- with motor drive 14 m²
- with manual drive 8,8 m²
- with manual drive and roller spring 9,5 m²
- with belt drive 3,5 m²

Coupled shutter curtains

- number of shutter curtains that can be coupled with a single drive 2 o 3 shutter curtains
- middle control side only with manual drive -

Sliding arm for side guide rails

- Standard type up to bk= 2'000 mm
- Lever type up to bk= 3'000 mm

Weight per m² approx. 3,7 kg

Optional on request

- Mounting profile (SGR) for front fixing of Regazzi side guide rails ⁽³⁾
- Blackout profile and end caps for side guide rails ⁽³⁾
- QuickRoll® and QuickRoll® mini self-supporting brackets
- Reinforced side guide rails (BR) for higher wind load resistance ⁽⁴⁾
- Recessed side guide rails (EF)
- Standard or lever sliding arm for side guide rails
- Reinforcement for bottom bar ⁽⁵⁾
- Special colours and imitation wood
- Powder coated side guide rails, bottom bar and stop brackets
- Automatic or manual anti-lift locks
- Manual drive
- Obstacle detection motors and bidirectional radio motors
- ISO-FLEX shutter box insulation with panels made of Neopor® ($\lambda \leq 0.031$ W/mK)


Wind load resistance

MINERGIE

Width of construction (bk)	1'000	1'500	2'000	2'500	3'000
Class ⁽⁶⁾	6	5	5	3	3

Wind load resistance in conformity with VSR technical guidelines (Association of Swiss sun protection and weather suppliers)

Class	0	1	2	3	4	5	6
Wind [m/s]	<9.0	<9.0	11	13	17	21	26
Wind [km/h]	32	32	39	46	60	76	92

		Minimum inner shutter box dimensions (K) ⁽²⁾											
		hl	1'000	1'250	1'500	1'750	2'000	2'250	2'500	2'750	3'000	3'250	3'500
Lineal® 3mm		K	150	165	180	185	195	200	210	220	225	235	235
Lineal® 9mm		K	165	175	185	195	205	215	225	230	240	245	255

K minimum with standard gear winch = 180 mm K minimum with belt drive = 200 mm Winding outer diameter D = K - 10 mm

(1) Technical data for QuickRoll® and QuickRoll® mini self-supporting brackets are available on Quickroll® brochure.

(2) For minimum inner shutter box dimensions (K) with other types of roller, see Lineal® data sheet.

(3) Only in combination with Quickroll® or Quickroll® mini self-supporting brackets. For more information see the brochure of SGR Mounting profile.

(4) Standard from bk width of 3'200 mm without sliding arm, and from bk width of 2'500 mm with sliding arm.

(5) Standard from bk width of 3'000 mm for manual drive or belt drive.

(6) Only in combination with reinforced side guide rails (BR) 19x40 mm and reinforcement for bottom bar.